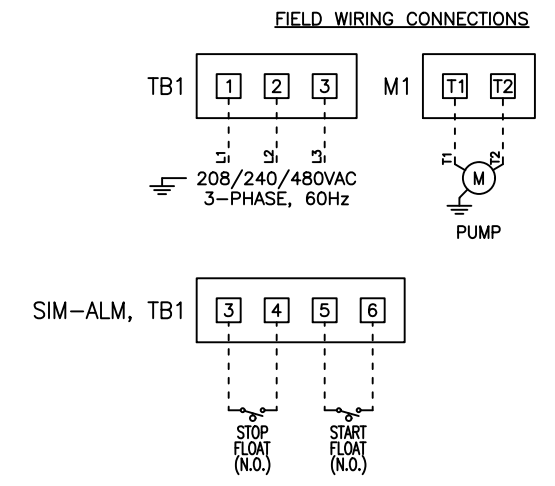
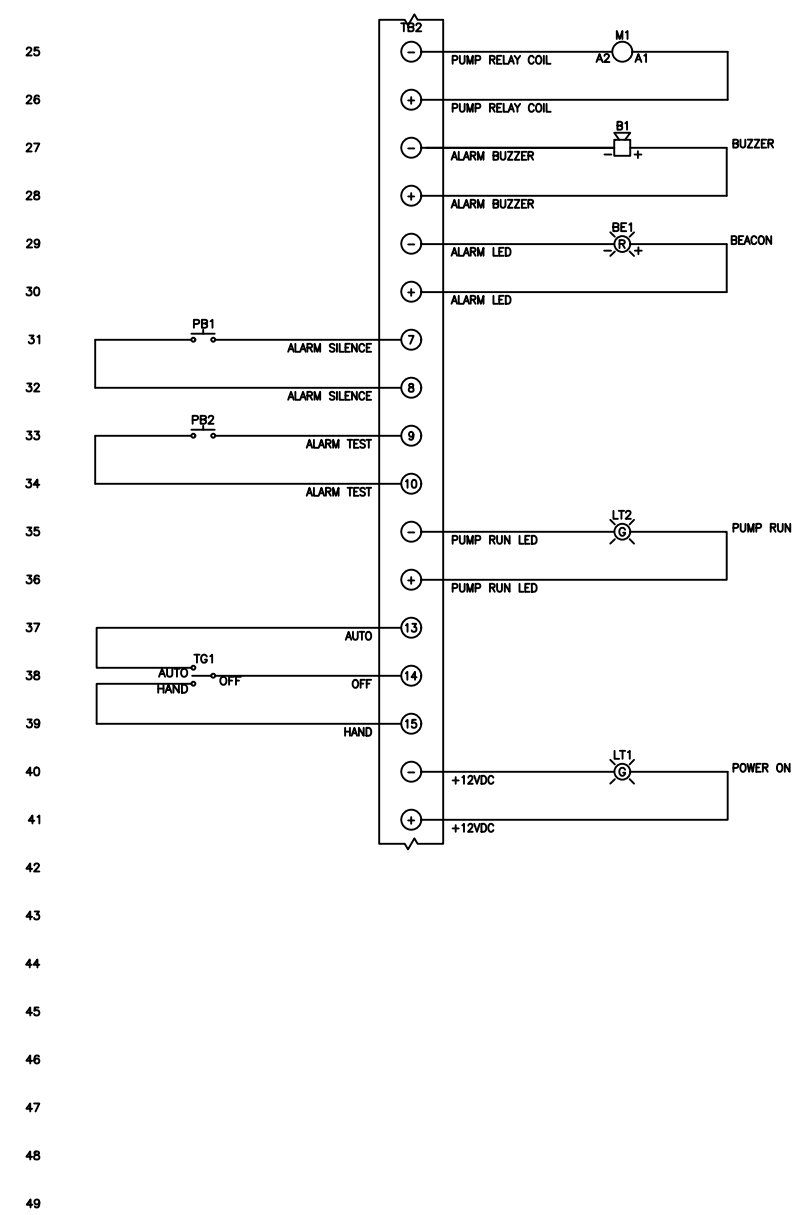
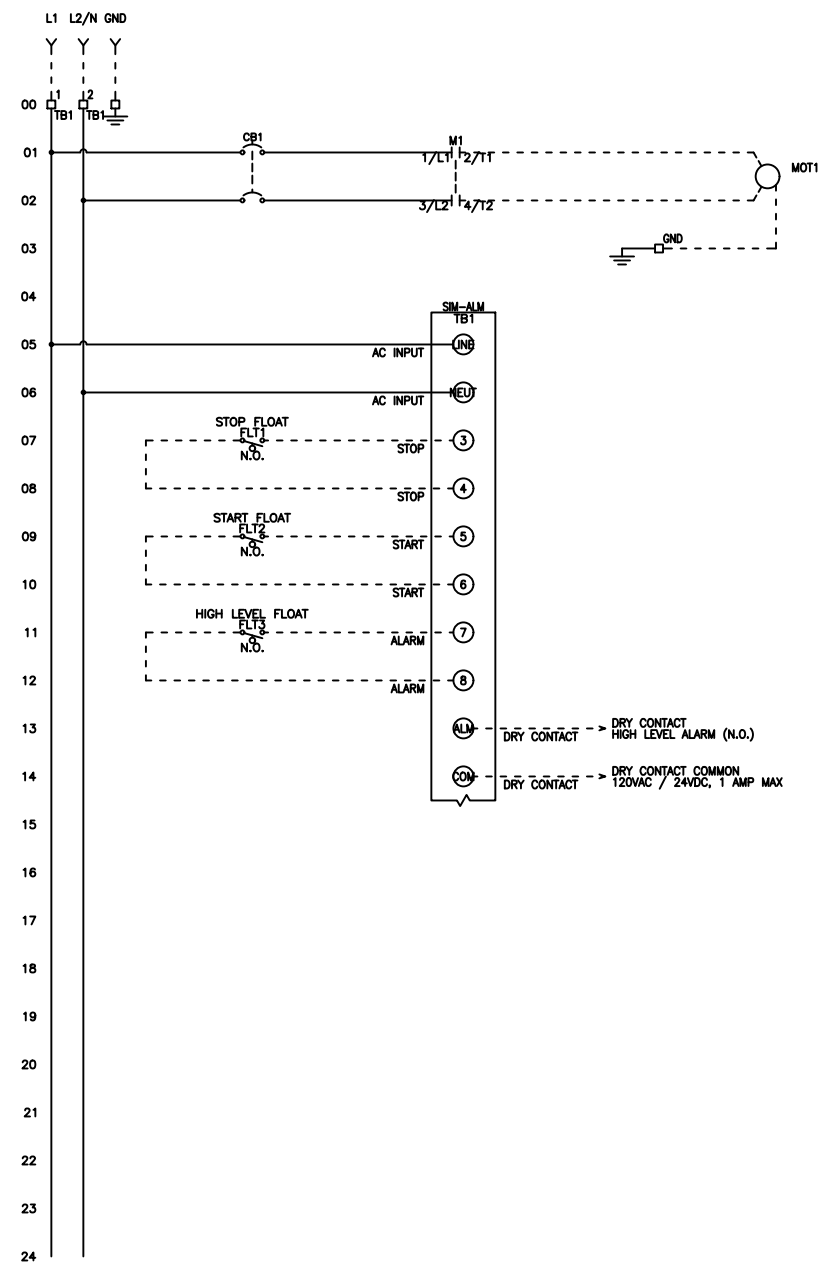


FNAME: SIM1-(1-3)

REVDATE: 1120

REVISIONS				
ZONE	REV	DESCRIPTION	DATE	APPROVED
	A	TERMINAL STRIP ADJUSTMENT	9/28/17	
	B	UPDATED LABELS AND FIELD WIRING	6/28/19	IF
	C	UPDATED M1 WIRING	1/14/20	AO
	D	ADDED POWER ON LIGHT	4/14/20	AO
	E	UPDATED SCHEMATIC AND TORQUE TABLE	11/6/20	JED



----- DASHED LINE INDICATES FIELD WIRING.

USE COPPER CONDUCTORS ONLY.

TEMPERATURE RATING OF CONDUCTORS IS TO BE:
 60°C (140°F) FOR UNDER 100A.
 75°C (167°F) FOR OVER 100A.

BRANCH CIRCUIT PROTECTION SHALL BE PROVIDED BY THE INSTALLER; MUST BE SIZED ACCORDING TO PUMP/MOTOR MANUFACTURING SPECIFICATIONS.

VERIFY CORRECT OPERATION OF CONTROL PANEL AFTER INSTALLATION IS COMPLETE.

FIELD WIRING TORQUE SPECS.	
TERMINAL BLOCK UT 2,5	5 IN-LB
TERMINAL BLOCK UT 4	7 IN-LB
TERMINAL BLOCK UT 6	15 IN-LB
TERMINAL BLOCK UT 10	15 IN-LB
TERMINAL BLOCK UT 16	25 IN-LB
TERMINAL BLOCK UT 35	30 IN-LB
TB1 & TB2 PCB	5 IN-LB
TRANSFORMER H1F, H2F & H3F	15 IN-LB
TRANSFORMER H1, H2 & H3	10 IN-LB
DS1 VLS3P63-125 R2	45 IN-LB
DS1 LK4JU3CN 100A	36 IN-LB
DS1 LK4MU3N 200A	200 IN-LB

DRAWN BY: MM
 DATE: 6/20/14

APPROVED BY: KM
 DATE: 6/20/14

THIS DRAWING CONTAINS PROPRIETARY INFORMATION AND SHALL NOT BE USED OR DISCLOSED WITHOUT PRIOR WRITTEN AUTHORIZATION.



TITLE: SIM1-(1-3) CONTROL SCHEMATIC			
SIZE: B	DWG NO.: 1509	PART NO.: SIM1-(1-3)	REV: E
SCALE: NONE	SHEET: 1 OF 1		